

# Installation instructions for KZNG5-01566-00

## **Lexus LS 460 AWD, Lexus LS 460 L AWD, Lexus LS 600H L**

### Under Run Protective Shield engine bay



Model Year:	<b>LS 460 AWD-2009/2006</b>	<b>LS 460 L AWD-2009/2006</b>	<b>LS 600H L-2009/2006</b>
-------------	-----------------------------	-------------------------------	----------------------------

Vehicle Code:	<b>USF45L-AEZGHW</b>	<b>USF46L-AEZGHW</b>	<b>UVF46L-AEXGHW</b>
---------------	----------------------	----------------------	----------------------

Part Number:	<b>KZNG5-01566-00</b>	<b>KZNG5-01566-00</b>	<b>KZNG5-01566-00</b>
--------------	-----------------------	-----------------------	-----------------------



Weight:	<b>13,63 kg</b>	<b>13,63 kg</b>	<b>13,63 kg</b>
---------	-----------------	-----------------	-----------------

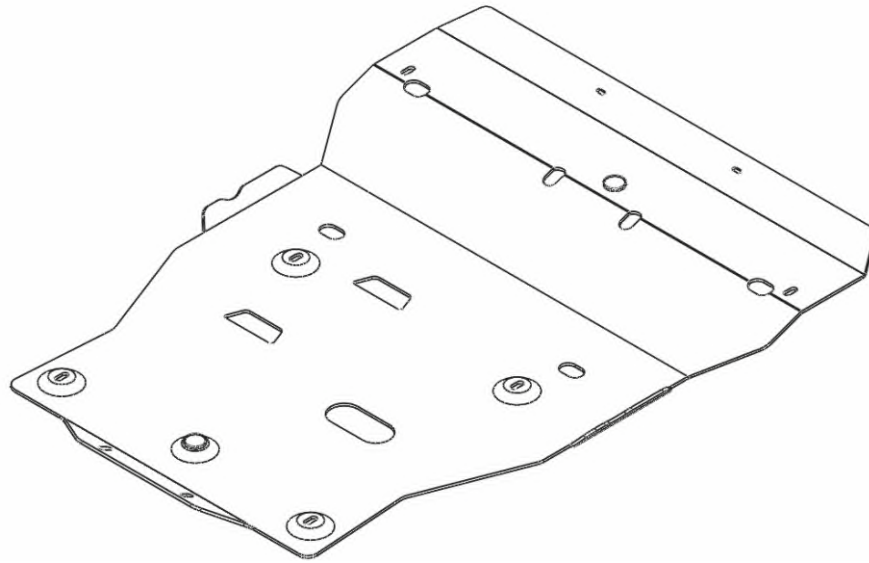


Installation Time:	<b>20 min</b>	<b>20 min</b>	<b>20 min</b>
--------------------	---------------	---------------	---------------

Manual reference number:	<b>AIM 001 633-0</b>	<b>AIM 001 633-0</b>	<b>AIM 001 633-0</b>
--------------------------	----------------------	----------------------	----------------------

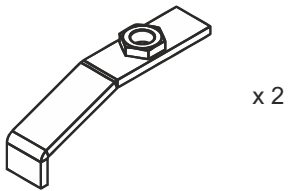
Part number: KZNG5-01566-00

**A**

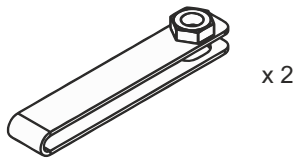


KZNG5-01566-00

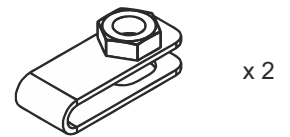
**B**



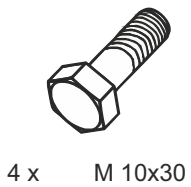
**C**



**D**



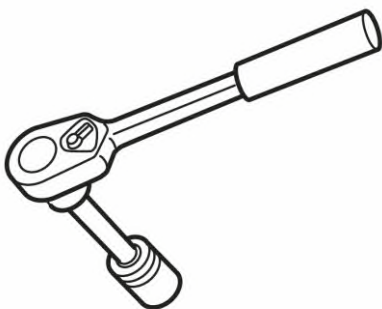
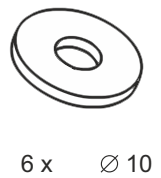
**E**



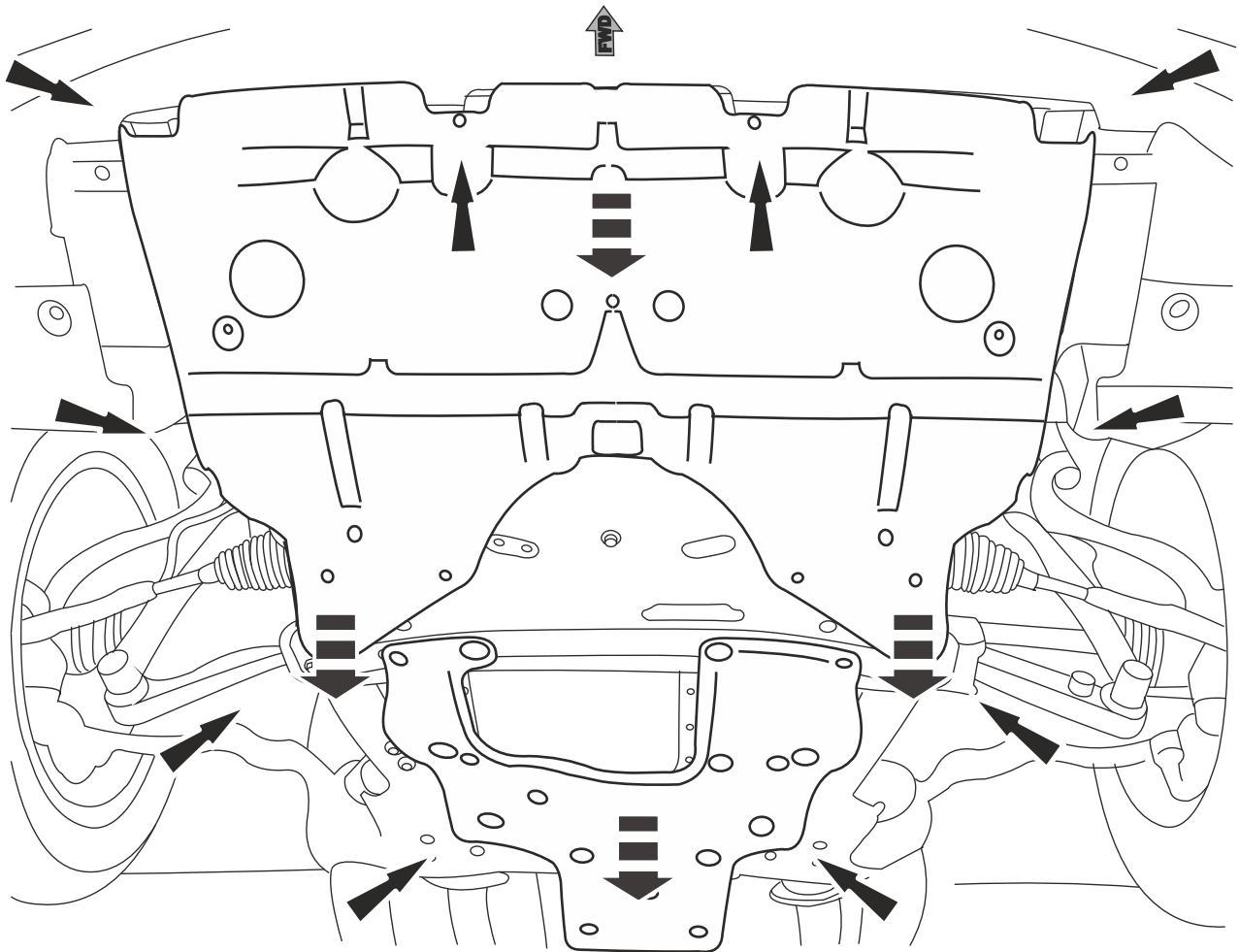
**F**



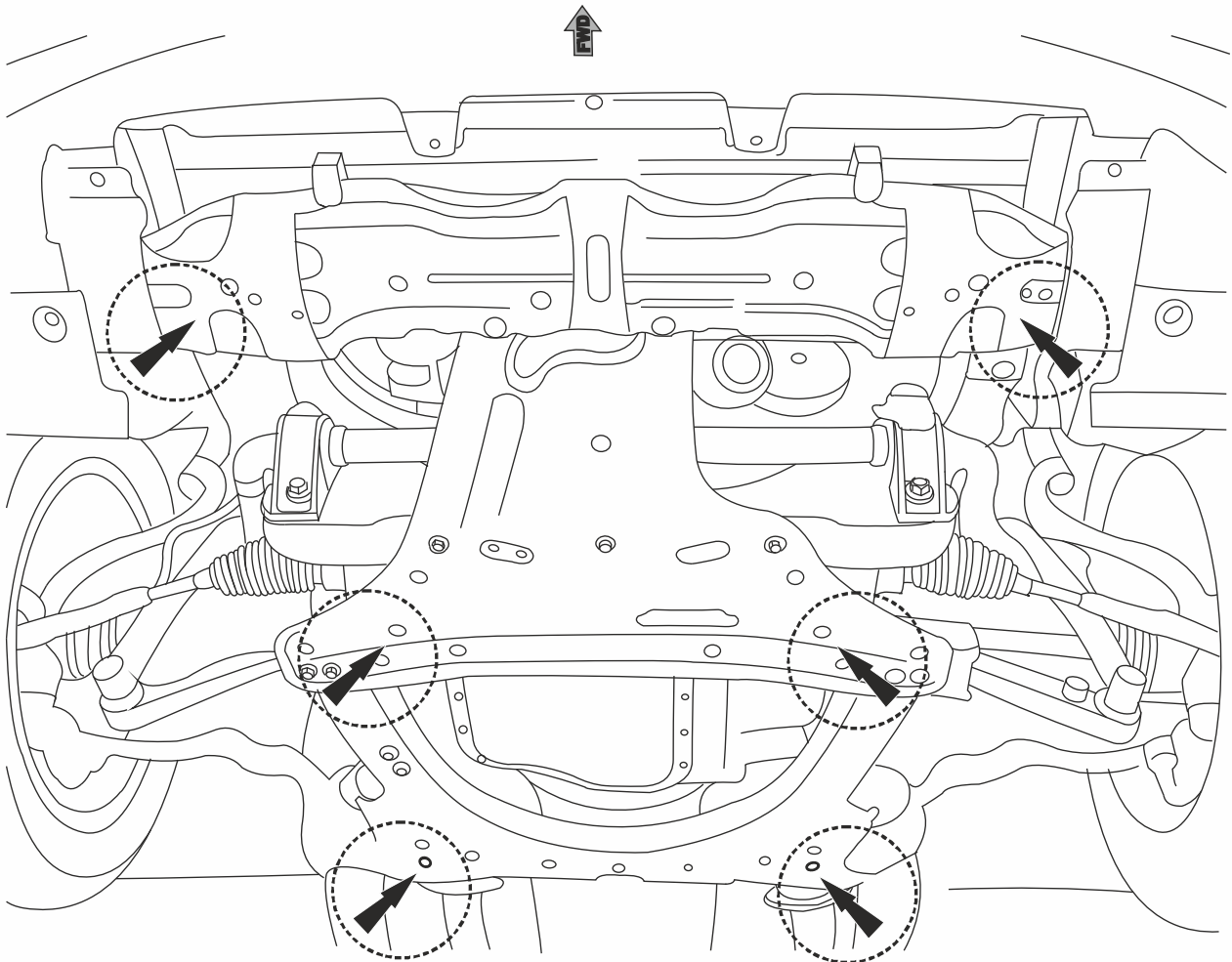
**G**



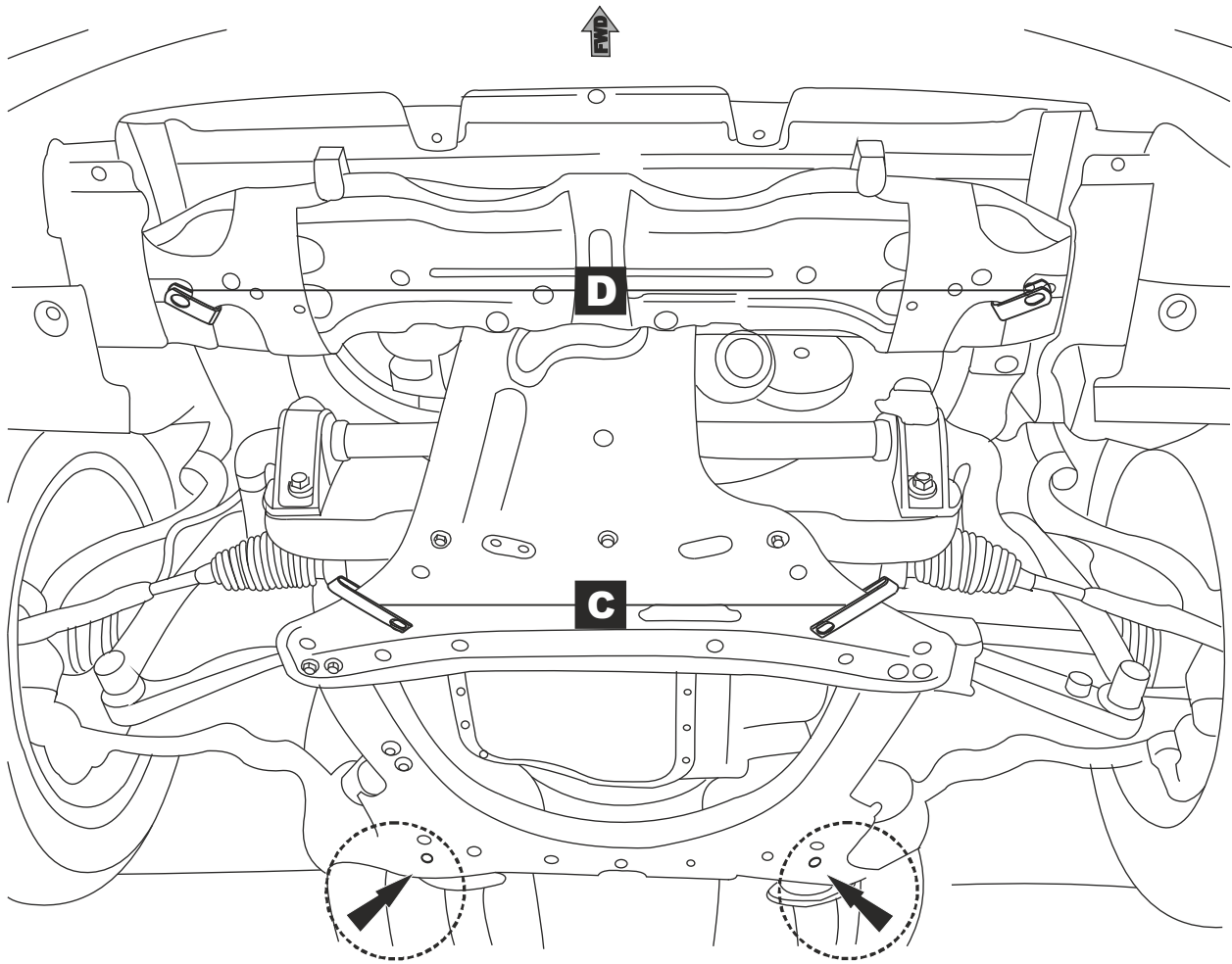
1



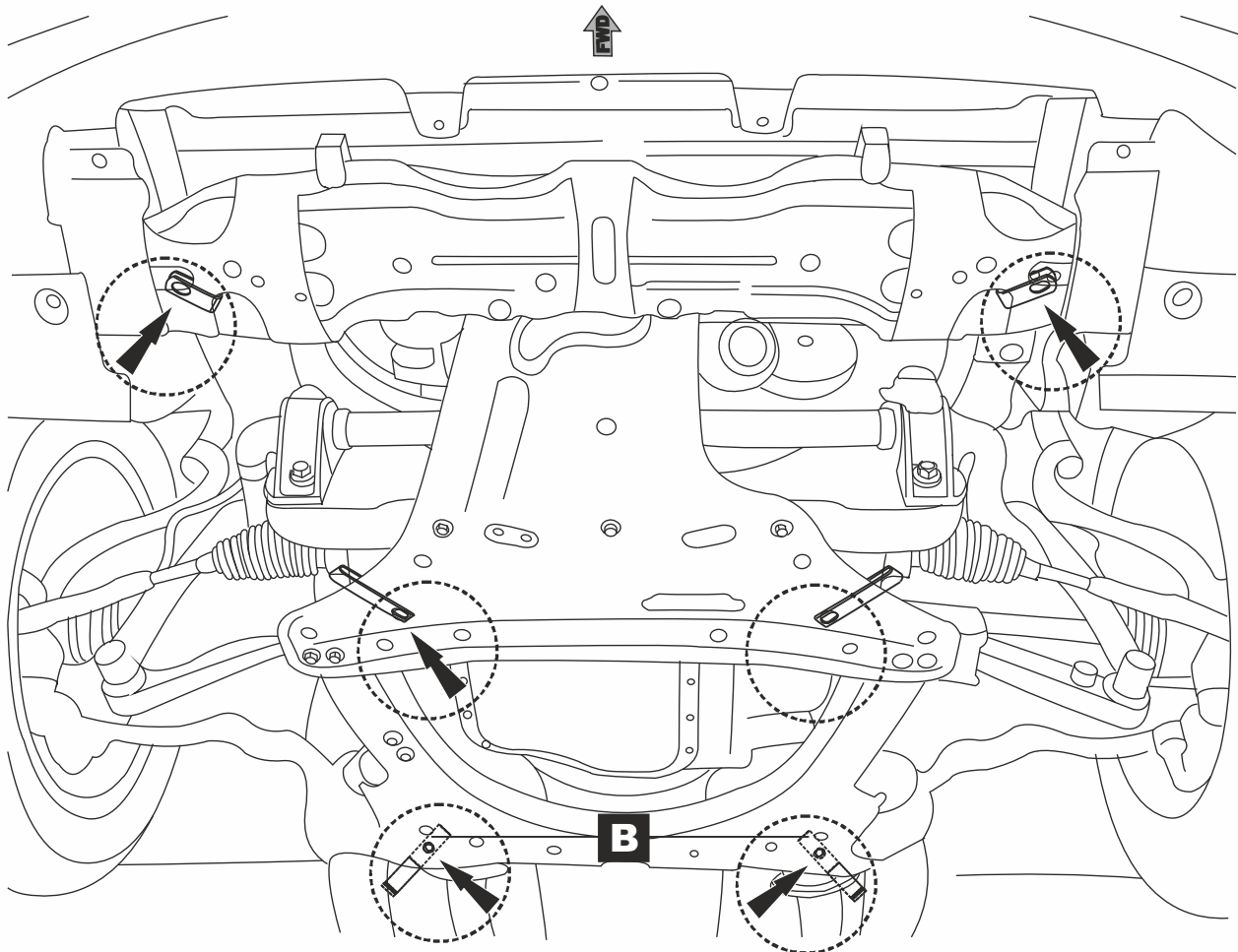
2



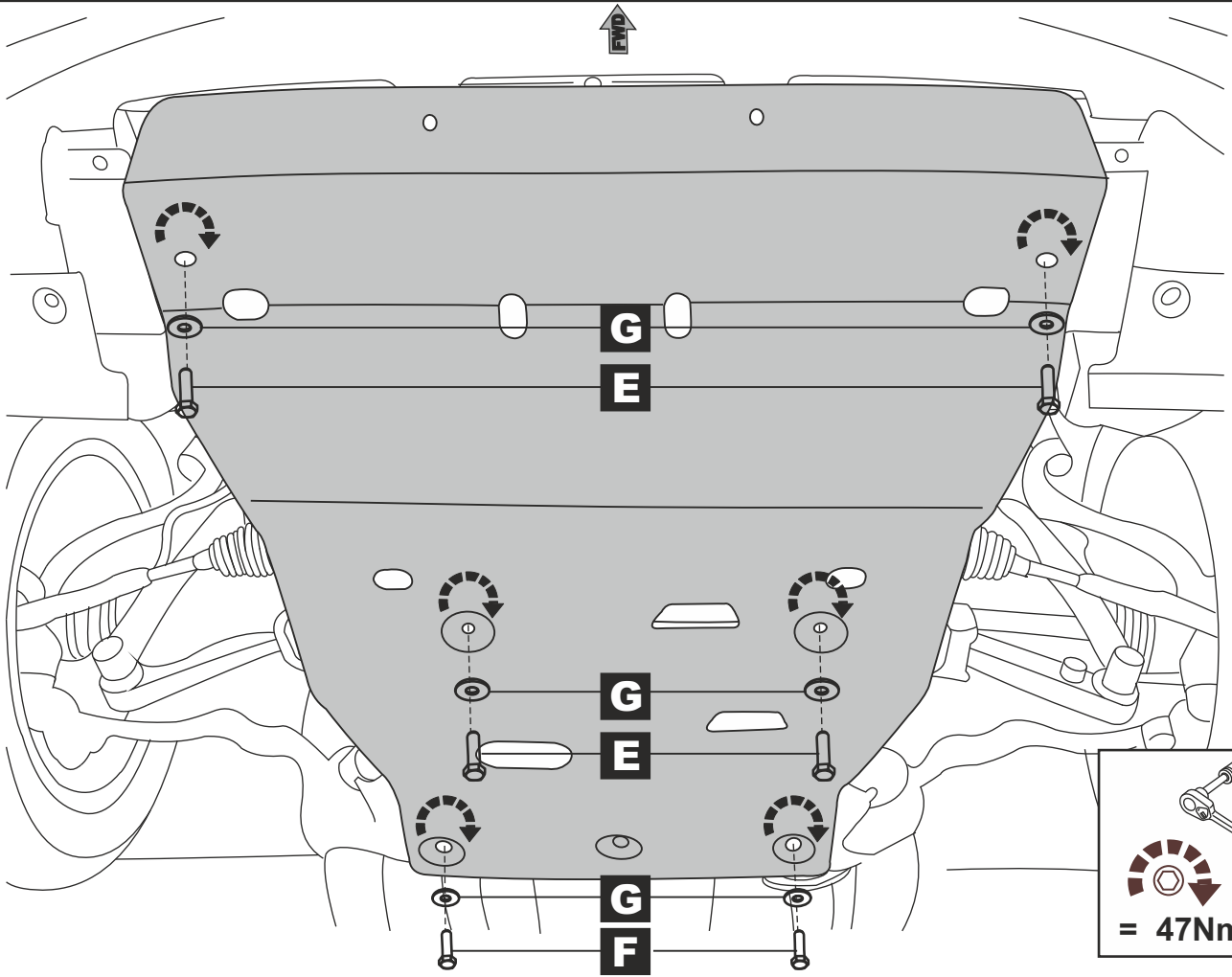
**3**



**4**



5



6

